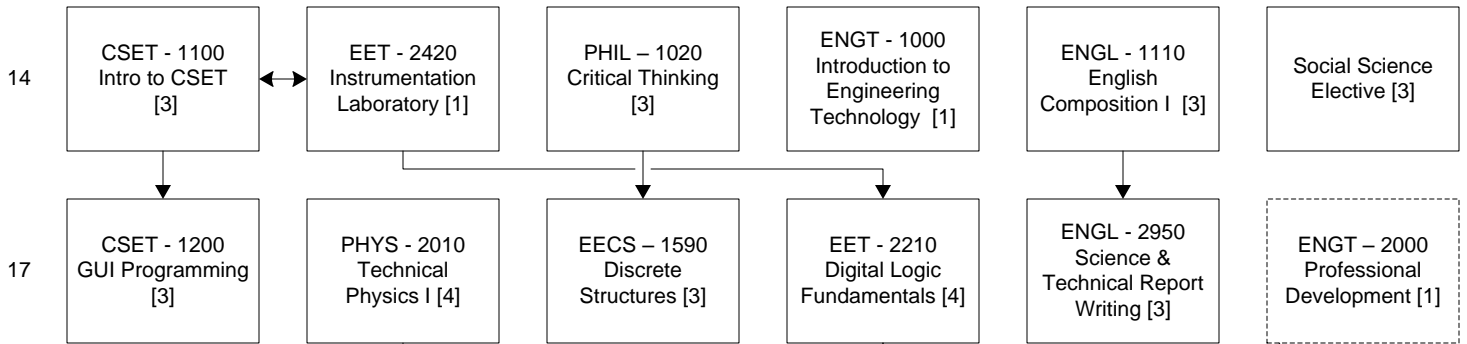


Computer Science & Engineering Technology Curriculum - Full Time

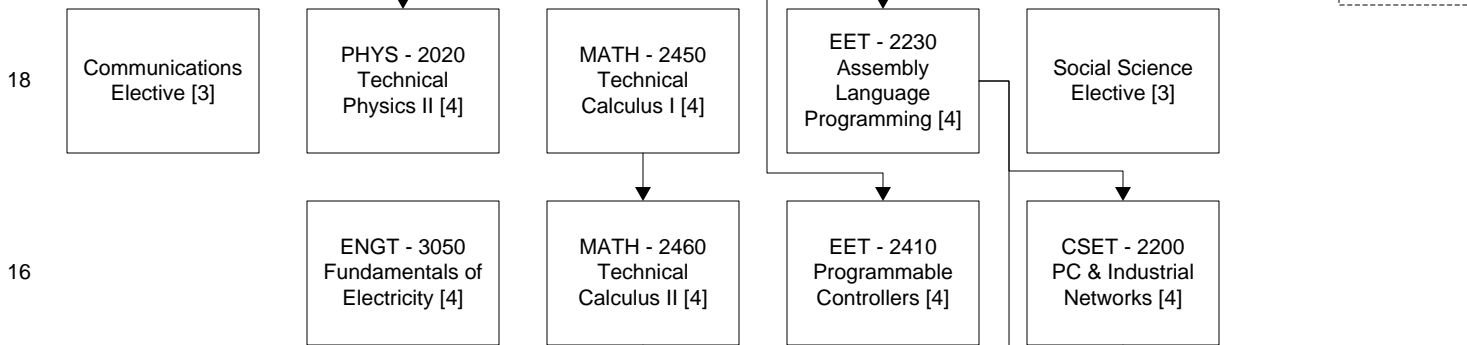
(Effective Fall 2007)

FRESHMAN

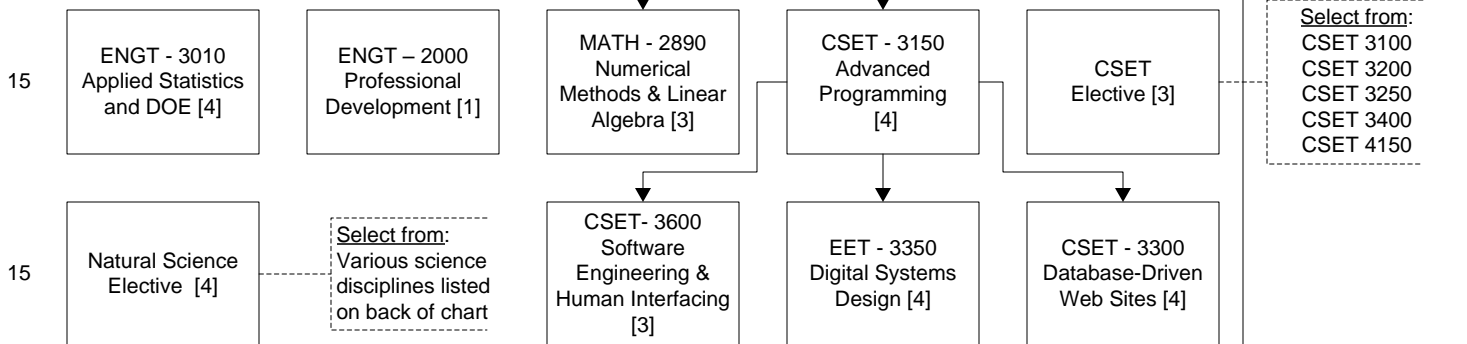


Take at this time if you intend to co-op

SOPHOMORE

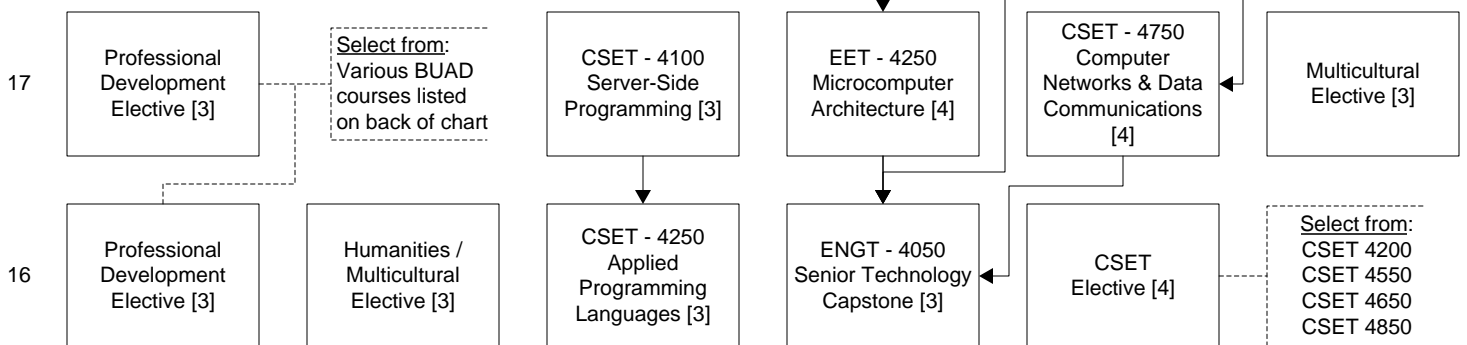


JUNIOR



Select from:
CSET 3100
CSET 3200
CSET 3250
CSET 3400
CSET 4150

SENIOR



Select from:
CSET 4200
CSET 4550
CSET 4650
CSET 4850

The University of Toledo
Computer Science and Engineering Technology
Electives
(Effective Fall 2007)

Professional Development Electives – 6 semester hours

BUAD 2040	Financial Accounting Information	3
BUAD 2050	Accounting for Business Decisions	3
BAUD 2080	Global Environment of Business	3
BUAD 3010	Principles of Marketing	3*
BUAD 3020	Principle of Mfg'ing and Svc. Systems	3
BUAD 3030	Managerial and Behavioral Processes	3
BUAD 3040	Principles of Financial Management	3*
BAUD 3470	Legal & Ethical Environ. of Business	3
BLAW 3570	Laws of Struct. & Oper. a Business	3
FINA 3060	Personal Finance	3

*Recommended for MBA-bound students

Technical Electives – 7 semester hours

CSET 3100	Advanced Web Site Design	3
CSET 3200	Client Server Computing	3
CSET 3250	Client-Side Scripting	3
CSET 3400	Unix System Administration	3
CSET 4150	Web Server Administration	3
CSET 4200	VLSI Technology	4
CSET 4650	Field Programmable Logic Devices	4
CSET 4850	Network Security Fundamentals	4

Natural Science Electives – 4 semester hours

Select one course from: Anatomy/Physiology (KINE), Astronomy (ASTR), Biology (BIOL), Chemistry (CHEM), Earth, Ecology and Environmental Science (EEES), or Physics (PHYS).

Communications Electives – 3 semester hours

COMM 2600	Public Presentations	3
COMM 3810	Group Communications	3
COMM 3840	Interpersonal Communications	3

Social Science Electives – 3 semester hours

Select two approved 3 semester hour course from Anthropology (ANTH), Economics (ECON), Geography (GEPL), Political Science (PSC), Psychology (PSY), Social Work (SOCW) or Sociology (SOC).

Humanities Elective – 3-6 semester hours

Select one 3 semester hour Humanities/Fine Arts elective that also satisfies one of the two multi-cultural elective requirements listed below ("double-dip"). Do not select a Philosophy (PHIL) course.

Multi-Cultural Electives – 6 semester hours

Select one 3 semester hour course that satisfies the Diversity of U.S. Culture requirement.
Select one 3 semester hour course that satisfies the Non-Western Tradition requirement.