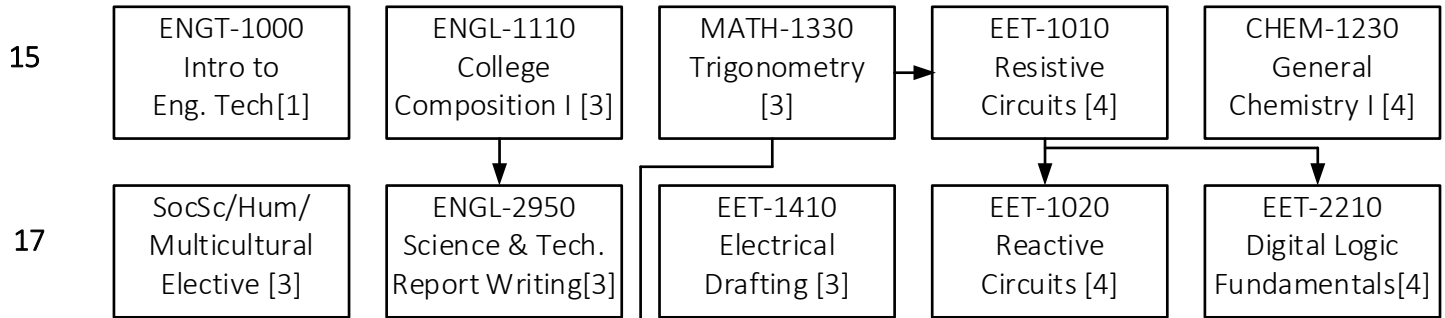
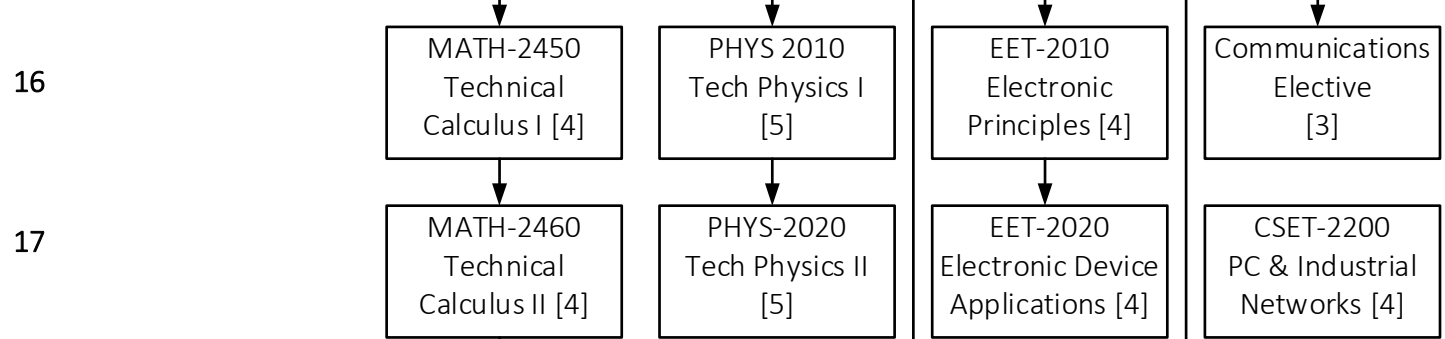


Electrical Engineering Technology Curriculum – Full Time Mechanical Concentration - Effective Starting Fall 2016

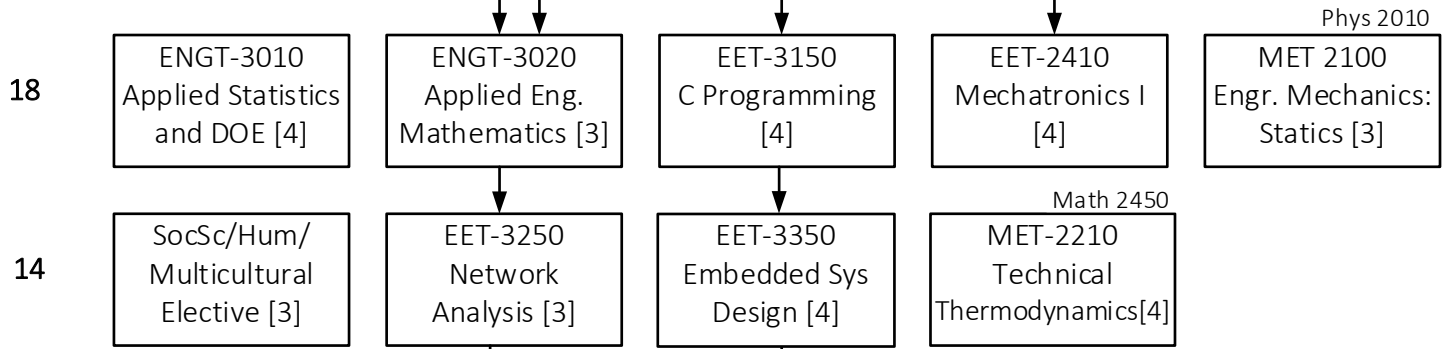
FRESHMAN



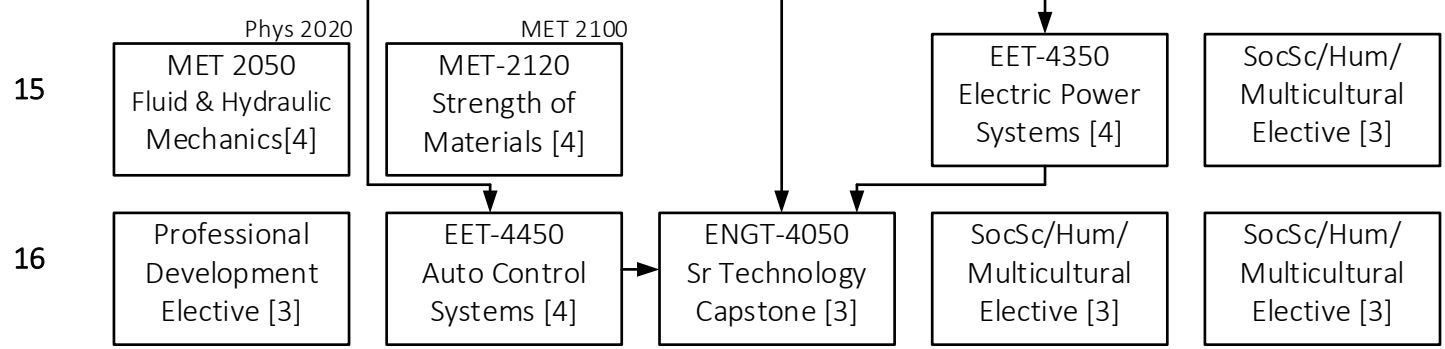
SOPHOMORE



JUNIOR



SENIOR



128 Hours Total

Refer to the "Pink Sheet" for allowable Humanities, Social Science or Multi-Cultural Electives.

For Communications and Professional Development Electives, refer to your Degree Audit for authorized electives.

Students must use the "double-dip" option on the pink sheet to complete Hum/Soc/MC requirements in 5 courses as shown.

Physics courses shown as 5 hours and may be taken as 4 hours. If this occurs, a deficiency below 128 hours may occur.