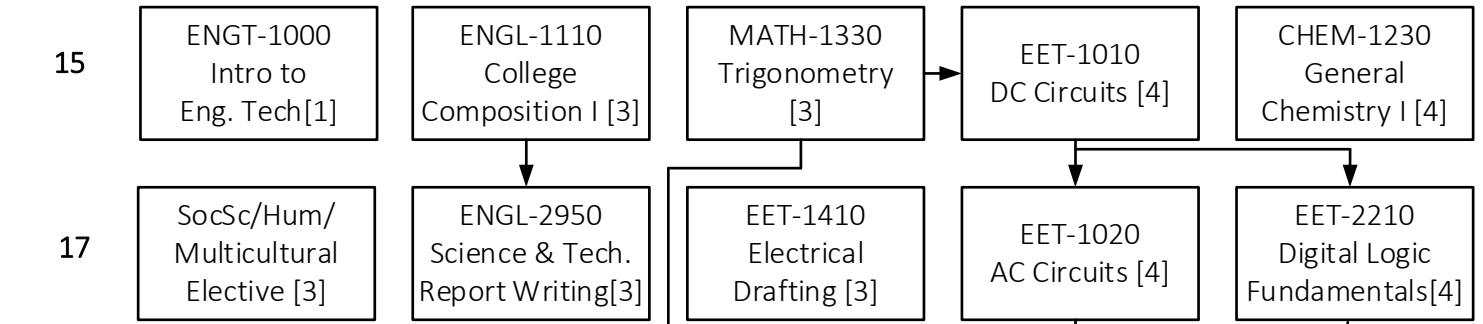


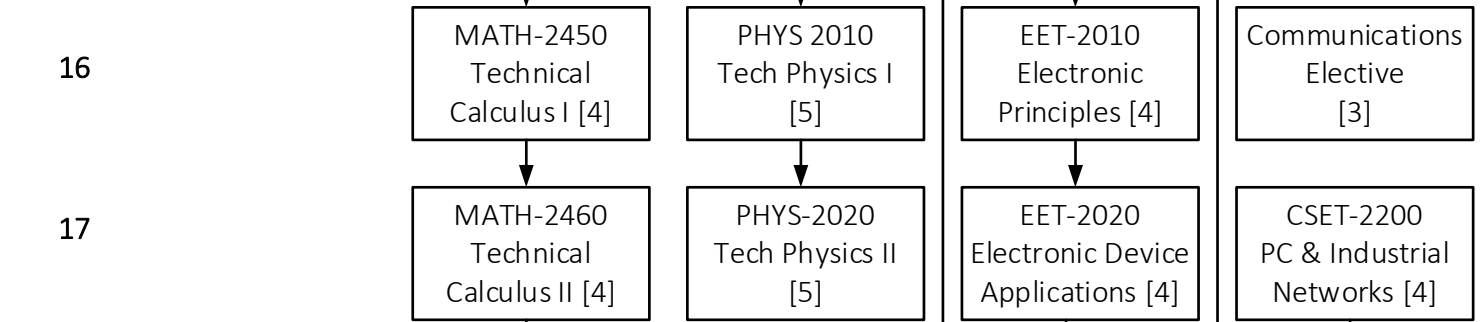
# Electrical Engineering Technology Curriculum – Full Time

## Effective Fall 2021

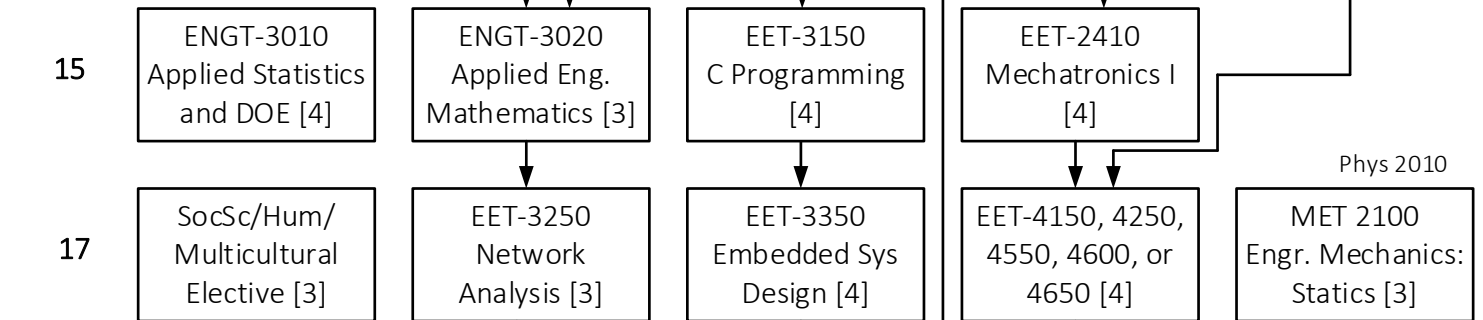
### FRESHMAN



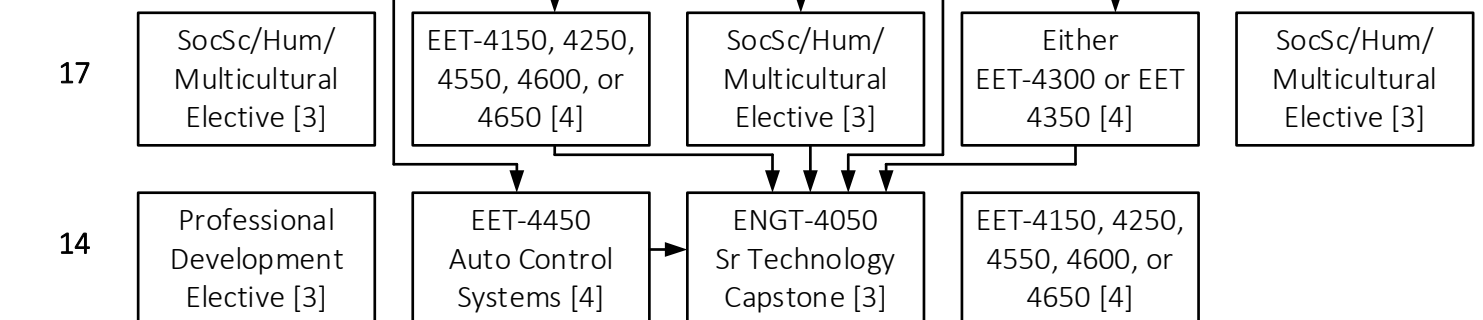
### SOPHOMORE



### JUNIOR



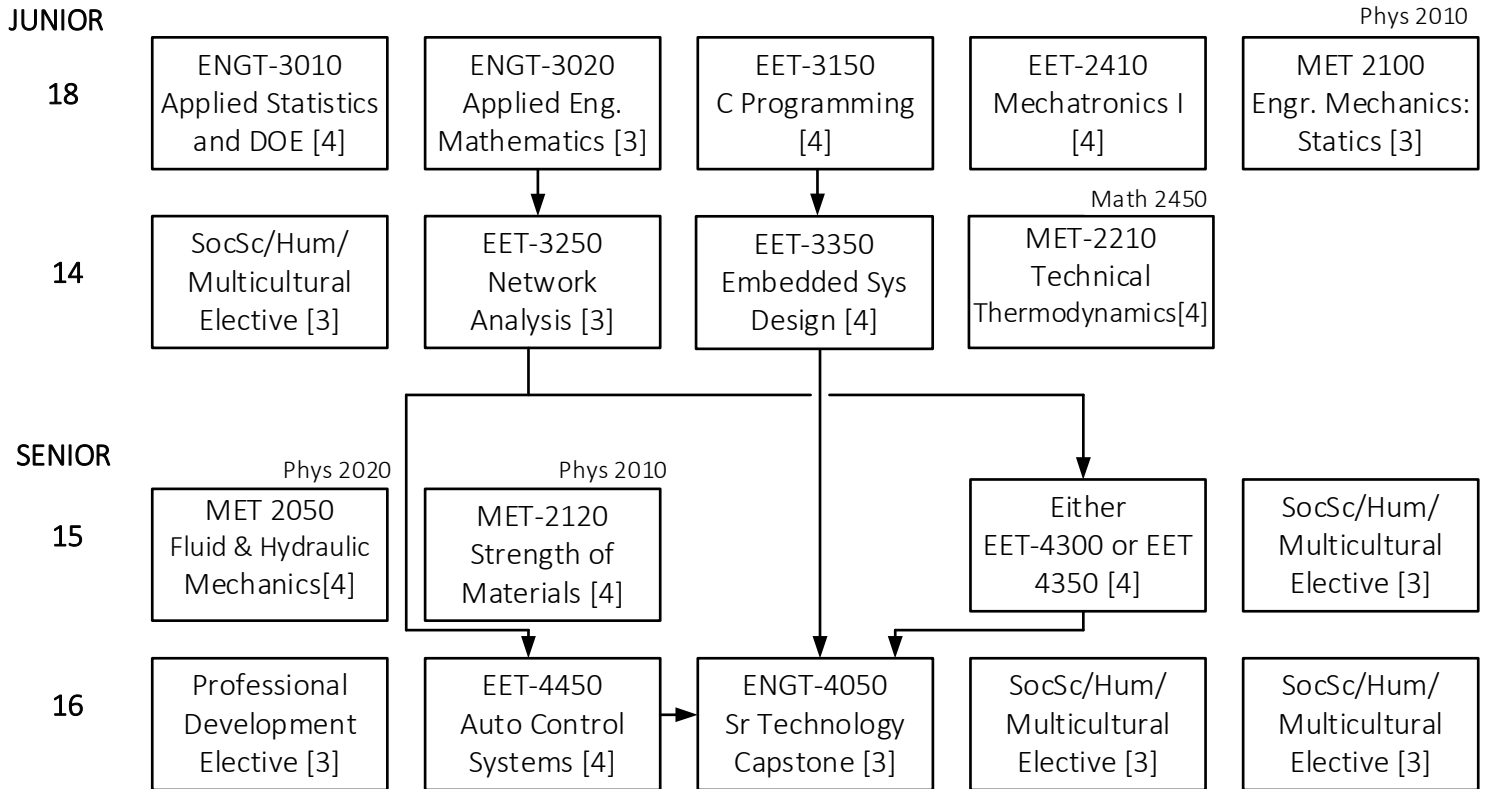
### SENIOR



128

If interested in a career in Electrical Power, may take second of EET 4300 or EET 4350 to replace one of EET 4150,... or MET 2100, ... Refer to the "Pink Sheet" for allowable Humanities, Social Science or Multi-Cultural Electives.  
 For Communications and Professional Development Electives, refer to your Degree Audit for authorized electives.  
 Students must use the "double-dip" option on the pink sheet to complete Hum/Soc/MC requirements in 5 courses as shown.  
 Physics courses shown as 5 hours and may be taken as 4 hours. If this occurs, a deficiency below 128 hours may occur.

### Mechanical Concentration



### Mechatronics Concentration

