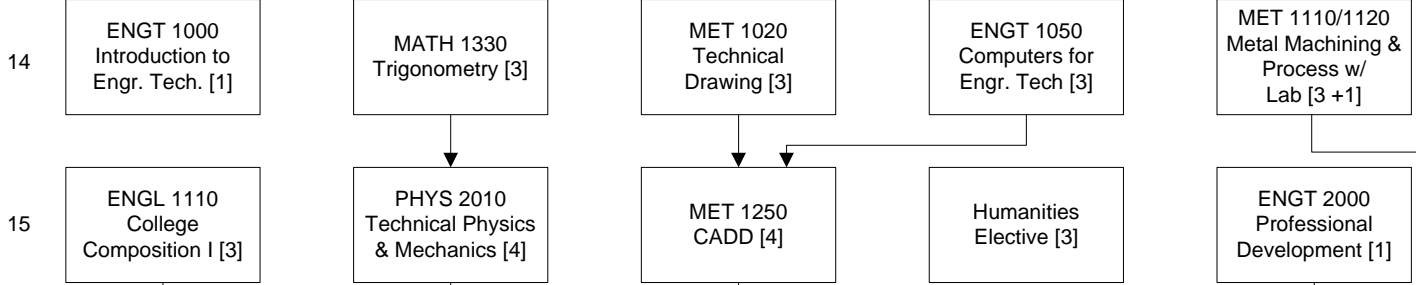


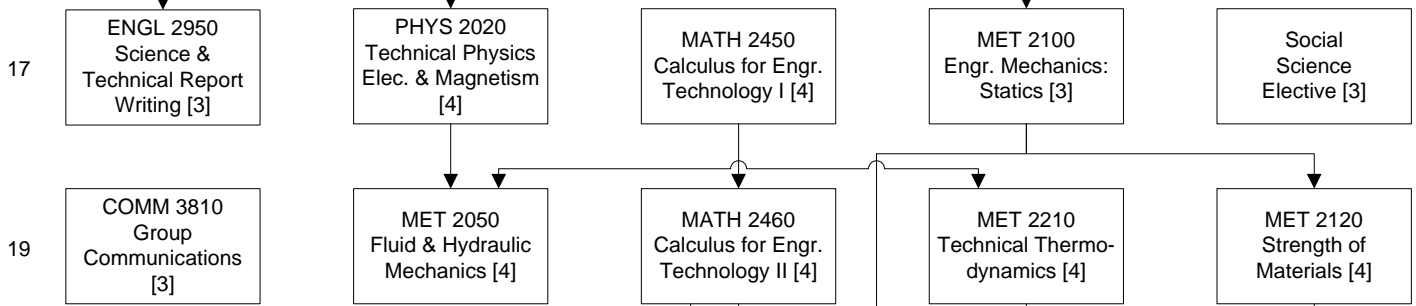
# Mechanical Engineering Technology Curriculum Flow Chart

## Co-op Schedule / Plan A

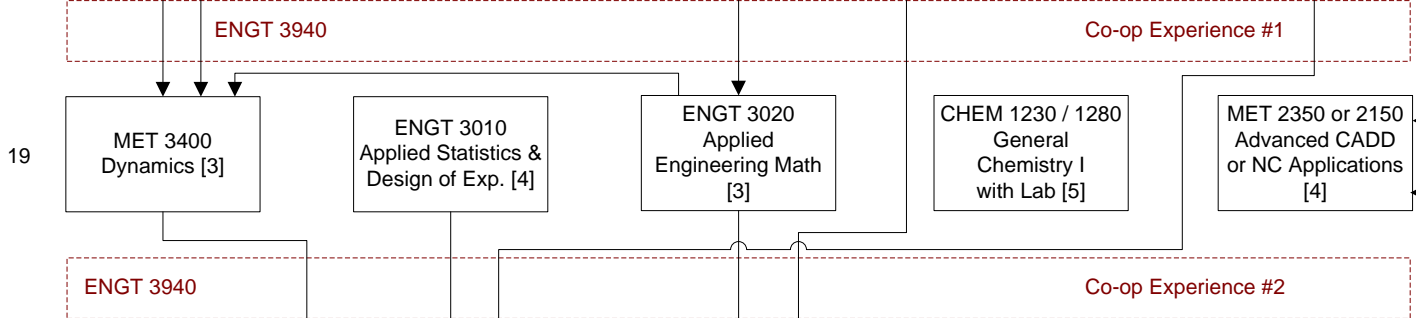
**FRESHMAN**



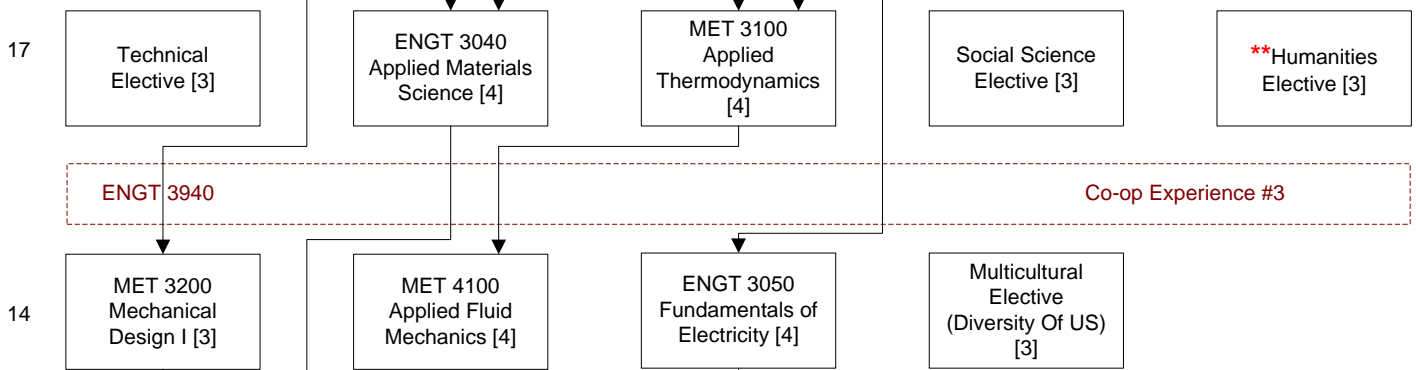
**SOPHOMORE**



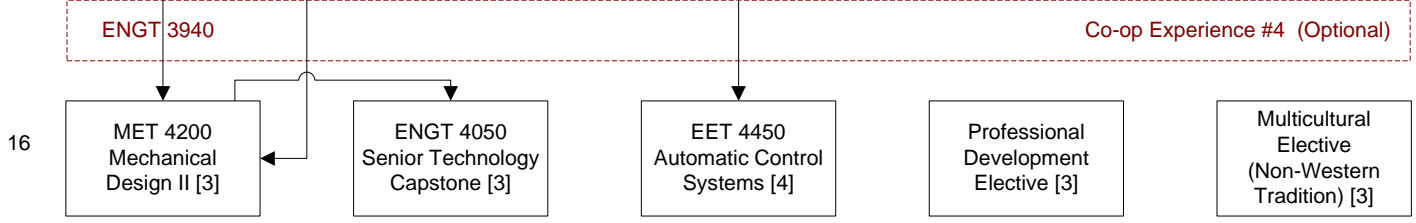
**JUNIOR**



**SENIOR**



**POST-SENIOR**



\*\*Not necessary if student double dipped.